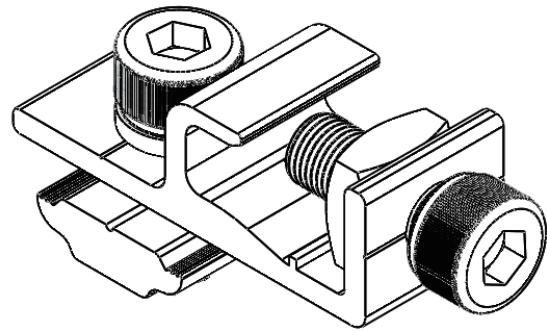
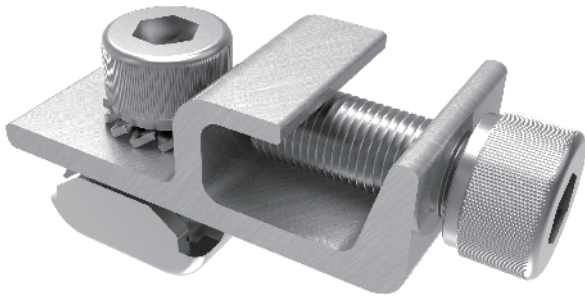


PRODUCT LINE

Item	Product Name
CK-592R537-1-120	CHIKO Grounding Lug For #537 Rail

TECHNICAL DATA

Main Material	AL 6005-T5
Tighten torque	15N.m
Safe torque	20N.m



Grounding Lug

CHIKO grounding lug is designed for fixing grounding cable going through smoothly between each rails.

ADVANTAGES

- Easy installation
- High class anodized
- Tilt- in nut

COMPONENT LIST

MATERIAL	QTY
Grounding Lug	01
SUS304 Inner Hex Bolts M8*20	02
SUS304 554 Nut	01
SUS304 Star Washer	01
SUS304 Inner Hex Bolts M8*25	01
SUS304 Spring Washer	01
SUS Square Nut M8	01

WARRANTY



ORDERING SPECIFICS

Standard Packaging	140PCS/BOX 560PCS/CTN
Dimensions	50*38*20CM
Weight	29kg