

PRODUCT LINE

Item	Product Name
CK-640-1-200	CHIKO 540 Rail Splice Kit

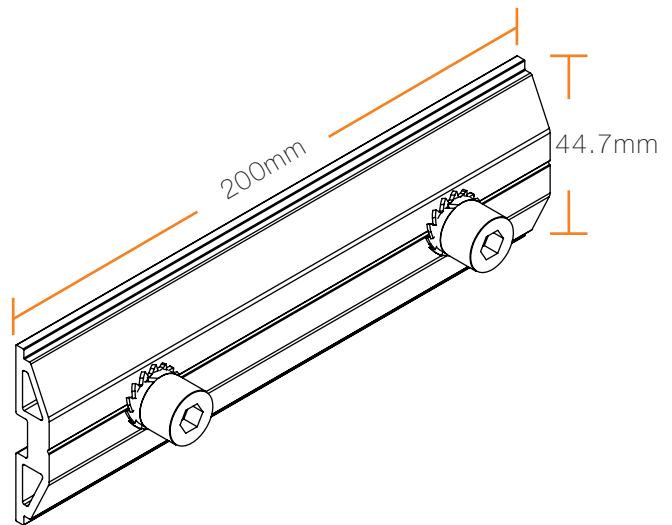


TECHNICAL DATA

Main Material	AL 6005-T5
Wind Load	Up to 60 M/S
Snow Load	1.4 KM/M ²

#540 RAIL SPLICE KIT

CHIKO aluminum rail splice kit is designed for 540R rail connection from back to position. Move easily and economically to install the rails.



ADVANTAGES

- Easy installation
- Highclass anodized

COMPONENT LIST

MATERIAL	QTY
Aluminium Rail Splice Kit	01
SUS304 Inner Hexagon M8*12	02
SUS304 Star Washer M8	02
SUS304 Hexagon Thin Nut M8	02

WARRANTY



ORDERING SPECIFICS

Standard Packaging	50PCS/BOX 200PCS/CTN
Dimensions	50*38*20CM
Weight	30kg