

SPECIFICATION & FEATURES

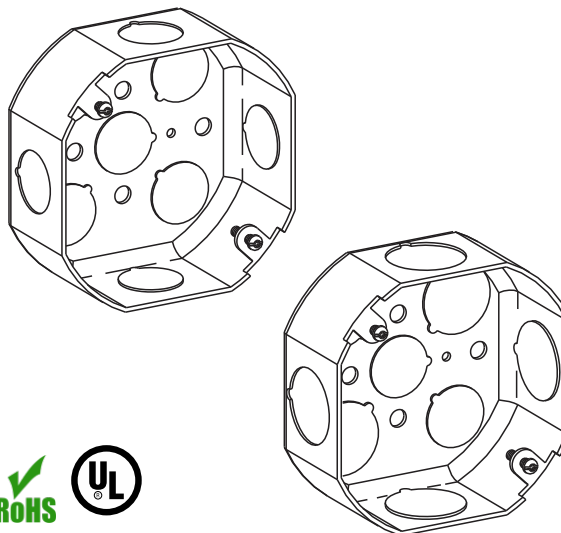
4" OCTAGON (40) DRAWN BOXES 1-1/2" DEEP

DESCRIPTION:

Orbit Industries' 4" Octagon (40) Drawn Boxes are used in the installation of light fixtures and other electrical devices in walls and ceilings. It is constructed from 16 gauge galvanized steel. The multiple knockouts in sizes 1/2" and 3/4" allow for easy installation.

CERTIFICATION:

UL file E227970, conforms to UL514A.
For Fixture/Luminaire Support of 50 lbs or less



FEATURES

Knockout:

50: 1/2" K.O.

75: 3/4" K.O.

Mfg. Process:

DRAWN

DIMENSIONS

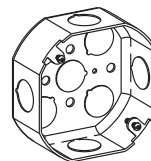
Diameter: 4"

Depth: 1-1/2"

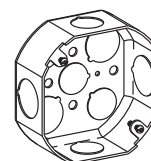
Cu.In.: 15.5

CONFIGURATION DATA

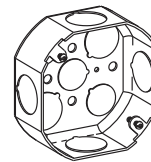
Catalog No.	Knockouts		Std. Pkg.
	Sides	Bottom	
D4RB-50	(4)-1/2"	(5)-1/2"	50
D4RB-50/75	(2)-1/2", (2)-3/4"	(3)-1/2", (2)-3/4"	50
D4RB-75	(4)-3/4"	(3)-1/2", (2)-3/4"	50



D4RB-50

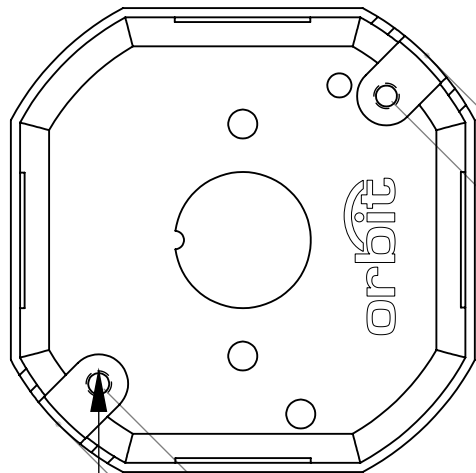


D4RB-50/75



D4RB-75

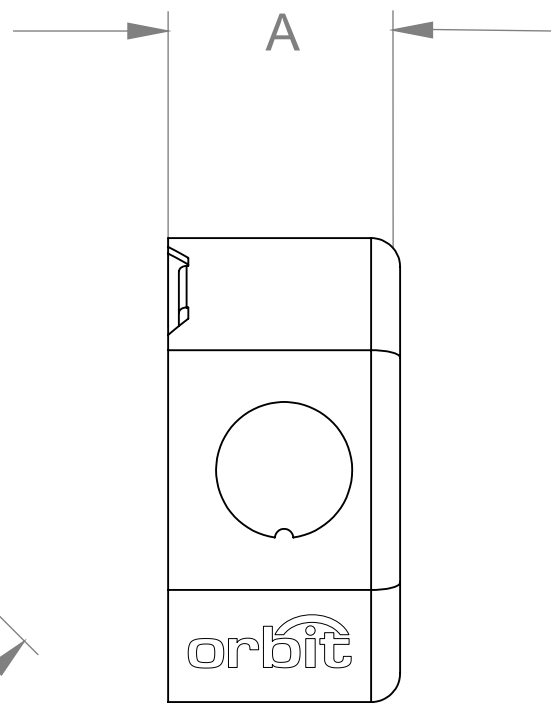




#8-32 TAP
2-Holes

3-1/2"

4"



Part No.	A (in)
D4RB-50	1-1/2
D4RB-50/75	1-1/2
D4RB-75	1-1/2

orbit		Orbit Industries, Inc.	
DISCLAIMER THIS DATA SHEET IS FOR REFERENCE ONLY. ORBIT INDUSTRIES INC RESERVES THE RIGHT TO MAKE CHANGES TO THE DESIGN WITHOUT PRIOR NOTICE		TITLE: 4" OCTAGON (40) BOXES DRAWN	
PROPRIETARY AND CONFIDENTIAL THE INFORMATION CONTAINED IN THIS DRAWING IS THE SOLE PROPERTY OF ORBIT INDUSTRIES INC. ANY REPRODUCTION IN PART OR AS A WHOLE WITHOUT THE WRITTEN PERMISSION OF ORBIT INDUSTRIES INC IS PROHIBITED.		DWG. NO. A002LD	REV A
DO NOT SCALE THE DRAWING			